

World Class Safety Equipment

## Safety you can rely on with our reputation behind it

Flashback arrestor are made as per EN 730, BAM approved & UL Certified.



SIMAX 1"



DEMAX 5 1"



DG 91 UA 3/8"



DG 91 N 3/8" & 1/2"



GT 1/4"



GG 3/8"



TT



DGN-DK 3/8"



DGN 3/8"

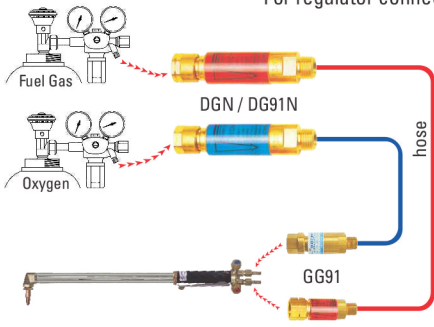
**Recommended For Heating, Brazing and Cutting Torch  
For Regulator End, Machine Cutting Torches &  
Gas Supply Lines**

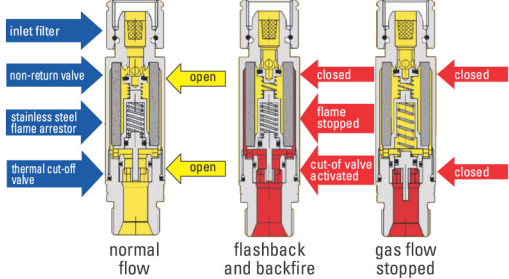
## The right connection for all gas applications

### FLASHBACK ARRESTOR PLACEMENT

### FLASHBACK ARRESTOR FUNCTIONING

For regulator connection: Flashback arrestor type model DGN according EN 730 and ISO 5175 with filter, non-return valve, flame arrestor and thermal cut-off valve





### FLASHBACK ARRESTORS FOR CUTTING HEATING AND BRAZING TORCHES

Model	Description	Connections	Product Code
DGN-Fuel	Flashback Arrestor Regulator side Fuel Gas (LPG / DA / BMCG)	G 3/8" LH	0463385
DGN-Oxy	Flashback Arrestor Regulator side Oxygen	G 3/8" RH	0463387
GG 91 Fuel	Flashback Arrestor Torch side Fuel Gas (LPG / DA / BMCG)	G 3/8" LH	0463388
GG 91 Oxy	Flashback Arrestor Torch side Oxygen	G 3/8" RH	0463390
GT Oxy	Flashback Arrestor Torch side Oxygen Gas	G 1/4" RH	0463393
GT Fuel	Flashback Arrestor Torch side Fuel Gas (LPG / DA / BMCG)	G 1/4" LH	0463393MODLH
DG 91N Fuel	Flashback Arrestor Regulator side Fuel Gas (LPG / DA / BMCG)	G 3/8" LH	0463829
DG 91N Oxy	Flashback Arrestor Regulator side Oxygen	G 3/8" RH	0463832
DG 91N Fuel	Flashback Arrestor Regulator side Fuel Gas (LPG / DA / BMCG)	G 1/2" LH	0463830
DG 91N Oxy	Flashback Arrestor Regulator side Oxygen	G 1/2" RH	0463833
Demax 5 Fuel	Flashback Arrestor For Mani Fold Fuel Gas	G 1" LH	0463840
Demax 5 Oxy	Flashback Arrestor For Mani Fold Fuel Oxygen	G 1" RH	0463841
Simax 3 Fuel	Flashback Arrestor For Mani Fold Fuel Gas	G 1" LH	0463842
Simax 3 Oxy	Flashback Arrestor For Mani Fold Fuel Oxygen	G 1" RH	0463843
Simax 5 Fuel	Flashback Arrestor For Mani Fold Fuel Gas	G 1" LH	0463844
Simax 5 Oxy	Flashback Arrestor For Mani Fold Fuel Oxygen	G 1" RH	0463845

### FLASHBACK ARRESTORS FOR MACHINE CUTTING TORCHES

Description	Connections	Product Code
Flashback arrestor for heating oxygen	G 1/4" RH	0647583
Flashback arrestor for cutting oxygen	G 3/8" RH	0647584
Flashback arrestor for fuel gas (LPG / DA / BMCG)	G 3/8" LH	0346364

### PVGD & PVHD testing M/c

- We provide testing & cleaning facility of FBA by Messer make PVGD & PVHD testing machines as per procedure laid by Messers germany.

